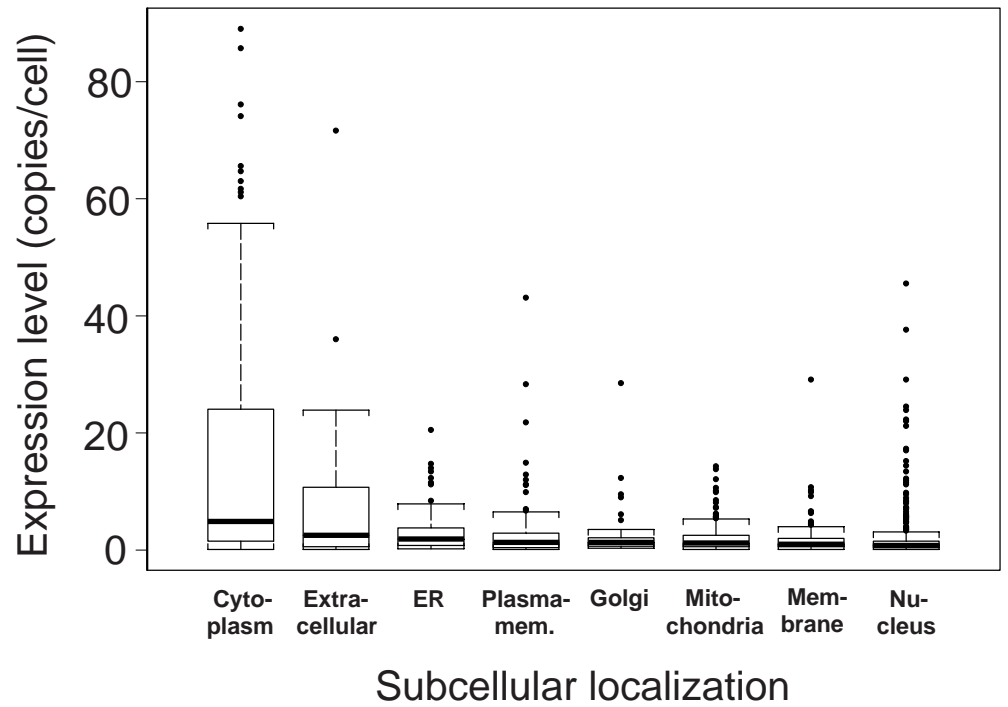
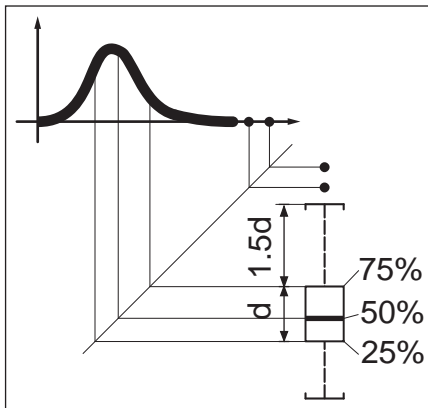


Figure 2

a



b

Distribution parameters	Subcellular localization								Data set
	Cytoplasm	Extra-cellular	ER	Plasma-mem.	Golgi	Mitochondria	Mem-brane	Nucleus	
75%	23.5	10.5	3.6	2.7	2.3	2.6	1.8	1.3	Holstege et al. ⁴
50% (median)	4.5	2.5	1.7	1.2	1.3	1.1	0.9	0.7	
25%	1.3	0.6	0.8	0.5	0.9	0.6	0.4	0.4	
# ORFs	479	16	113	106	48	266	148	698	
75%	26.8	5.5	3.0	1.9	2.0	2.3	1.5	1.0	Jelinsky et al. ⁷
50% (median)	4.2	2.5	1.1	0.5	0.9	0.8	0.6	0.4	
25%	0.9	0.4	0.5	0.2	0.5	0.4	0.2	0.2	
# ORFs	480	17	116	115	48	262	149	668	
75%	11.9	6.7	4.7	3.3	3.3	3.4	3.3	3.3	Roth et al. ⁵ , mating type a
50% (median)	3.4	3.3	3.3	1.7	1.9	2.7	1.7	1.4	
25%	2.0	1.5	1.4	1.2	1.3	1.4	1.2	1.2	
# ORFs	494	18	117	128	49	273	166	739	
75%	15	5.25	5.5	2	3	3	2	2	SAGE ¹ , log phase
50% (median)	4	2	2	1.5	2	2	1	1	
25%	1	1	1	1	1	1	1	1	
# ORFs	242	6	55	48	23	97	50	215	